

AutoStrad Application

Kalmar One

Terminal Layer

As a standardised and flexible system, Kalmar One can be integrated with any TOS and all container handling equipment. Centralised equipment control system functionalities ensure optimal operations between automated equipment and TOS. Full integration between Kalmar equipment and the Navis N4 TOS means less time needed for on-site testing.

Kalmar Key

The equipment and system agnostic Kalmar Key interfaces enable seamless data flow between systems, enabling you to build a holistic view of your data from multiple sources.

Remote Console

With the ergonomically designed multi-purpose console, you can safely operate multiple equipment efficiently and comfortably from one desk.

Kalmar Cloud Gateway

Kalmar Cloud

Kalmar OnWatch

Kalmar One

Yard Layer

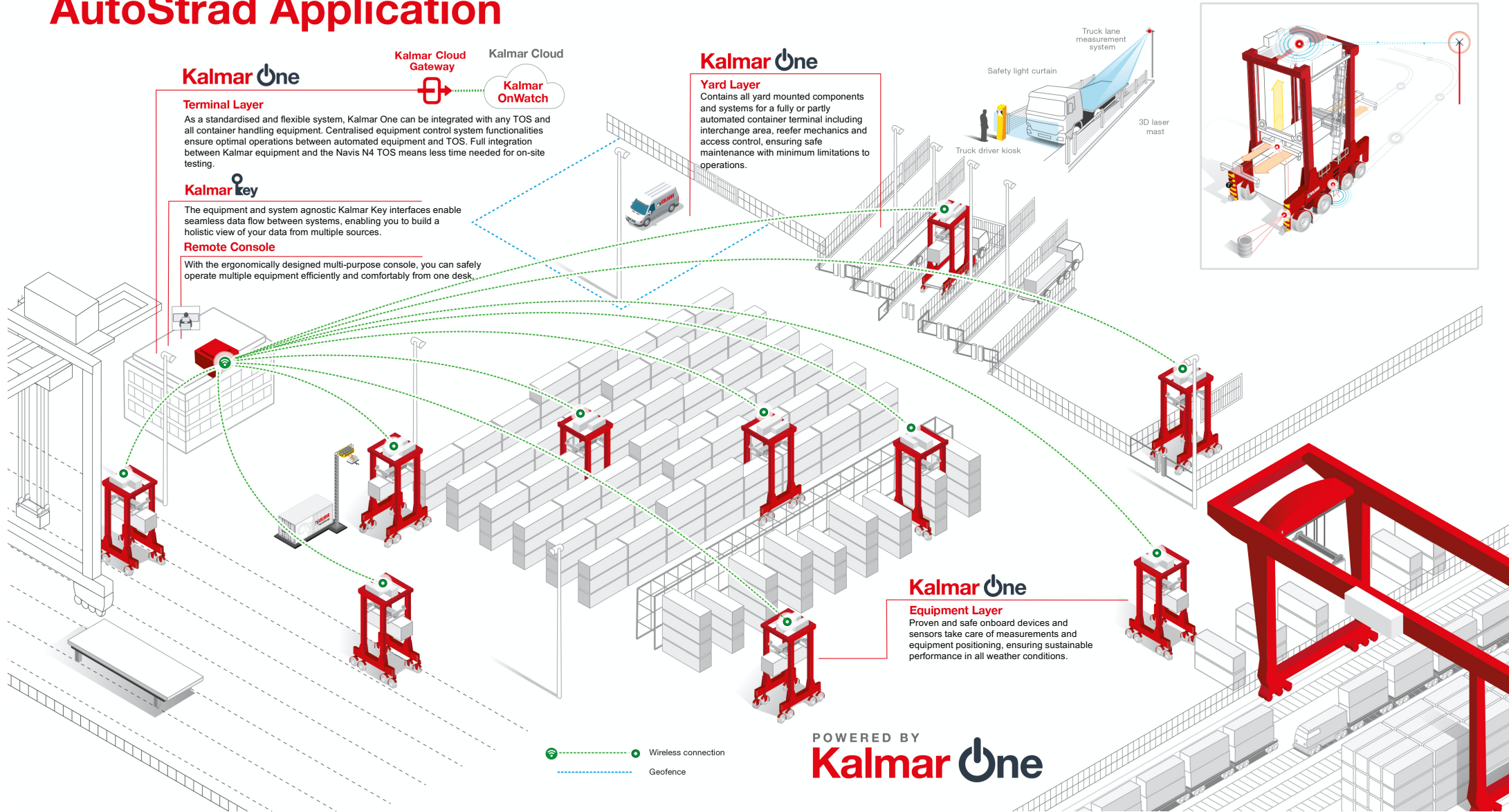
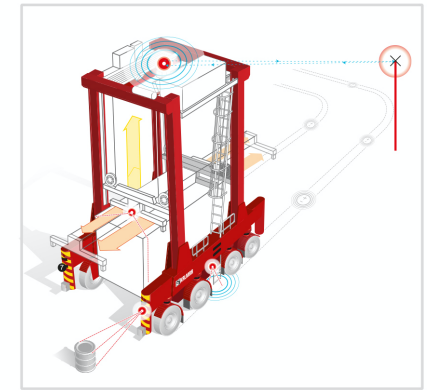
Contains all yard mounted components and systems for a fully or partly automated container terminal including interchange area, reefer mechanics and access control, ensuring safe maintenance with minimum limitations to operations.

Truck lane measurement system

Safety light curtain

Truck driver kiosk

3D laser mast



Kalmar One

Equipment Layer

Proven and safe onboard devices and sensors take care of measurements and equipment positioning, ensuring sustainable performance in all weather conditions.

-  Wireless connection
-  Geofence

POWERED BY
Kalmar One